



HRC Fuse Links DIN / Bolted Type Contacts

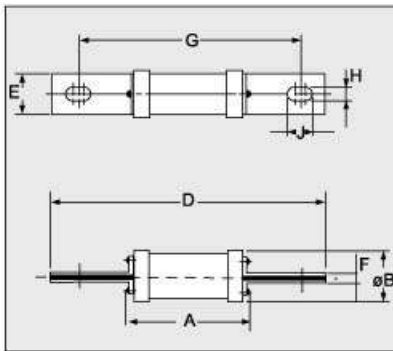


- Range : 2 Amps to 800 Amps
- Breaking capacity >80kA, 415V, 50 Hz AC
- Conforms to Indian & International Standards IS : 13703 (1993) & IEC 269-1986
- Tested at CPRI Bhopal
- Low watt loss



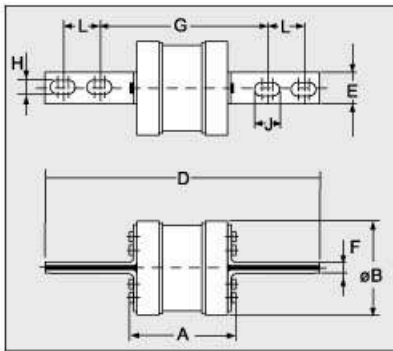
ISO-9001:2000

The Symbol of Protection



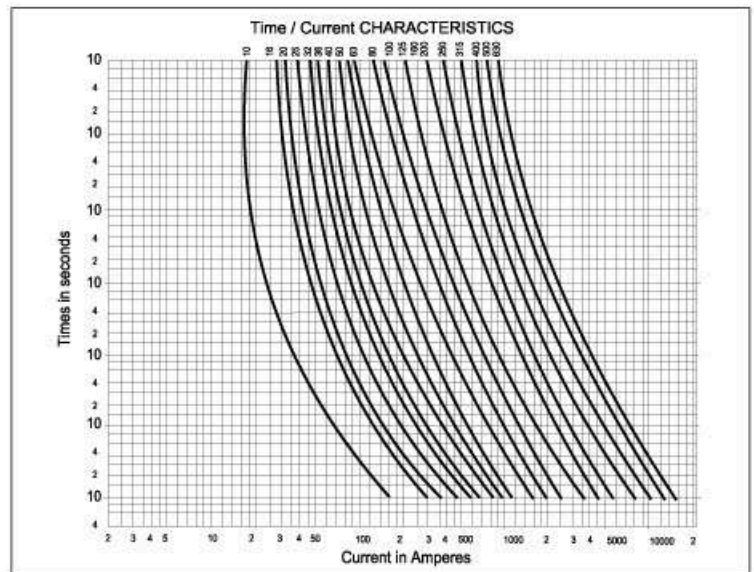
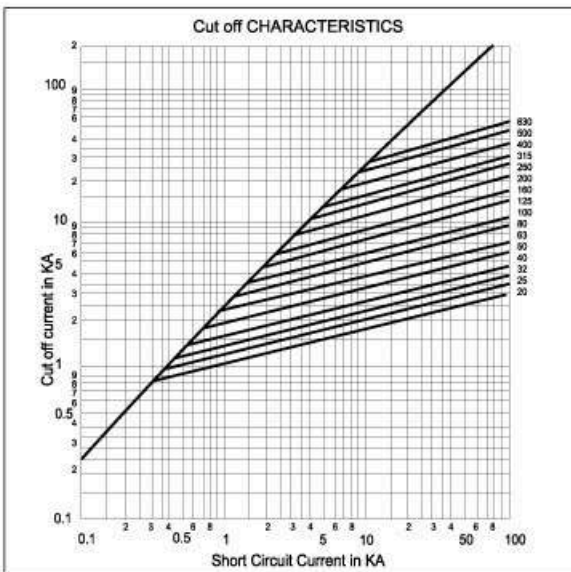
Central Tags 2-Hole Fixing:

Fuse J	Rating Type	A in Amps	∠B	D	E	F	G	H	
LKTSDC	80,100	58.5	23	137.5	19.0	3.2	111.0	9.0	11.8
LKTSTF	125,160,200	60	34.5	133.5	19.0	3.2	111.0	9.0	12.5
LKTSTK	250,300,315	25.5	41	132	25.5	3.2	111.0	9.0	11.8
LKTSMS	355,400	63	53.5	164	25.5	5.0	133	11.0	16.0



Central Tags 4-Hole Fixing:

Fuse Type	Rating in Amps	A	∠B	D	E	F	G	H	J	L
LKTTS	400,450,500,550,630	83	75.0	160	25.5	6.4	133	11	15.8	-
LKTTM	400,450,500,550,630	85	75.5	212	25.5	6.4	133	11	15.8	25.4
LKTSL	630,670,710,750,800	62.5	75.5	212	25.5	10.0	133	11	15.8	



HPL-HRC0904



HPL INDIA LTD.

1/21, Asaf Ali Road, New Delhi - 110 002
 Phones : 011-23234411, 23234811, 23236811
 Fax : 91-11-23232639 E-mail : hpl@hplindia.com

www.hplindia.com

Branch Offices :

- Ahmedabad Ph.: 079-26580203
- Bangalore Ph.: 080-22863069
- Cochin Ph.: 0484-2354595
- Chennai Ph.: 044-24341141
- Vapi
- Jammu
- Kolkata Ph.: 033-22116629
- Kanpur Ph.: 0512-2353743
- Mumbai Ph.: 022-25092746
- Pune Ph.: 020-25672928
- Varansai
- Agra
- Secunderabad Ph.: 040-55687878
- Chandigarh Ph.: 0172-5077815
- Jaipur Ph.: 0141-5106268
- Vadodara Ph.: 0265-2352107
- Ludhiana
- Lucknow
- Raipur
- Vizag
- Madurai
- Bhubaneshwar
- Patiala
- Calicut
- Trivandrum
- Bhopal
- Udaipur
- Nagpur
- Indore
- Guwahati
- Surat
- Palakhat

Due to continuous development, specifications and features are subject to change without prior notice.



HRC Fuse Links - LKDN

Knife Contacts

LK-HPL Type LKDN HRC (High Rupturing Capacity) Fuse Links with Knife Contacts are ideal for the perfect protection to medium voltage circuits for Industrial and general application such as cables, flexible cords and other equipments, against over loads and short circuit faults. Fuse elements are accurately shaped & designed for consistency & reliability. Provision of filler material (quartz silica sand) inside the fuse as arc quenching / heat absorbing medium.

- Range** LKDN Fuse links are 6 Amp to 630 Amp in four different sizes with beaking capacity of more than 80kA at 415 Volt 50 Hz, AC.
- Reference Standards** LKDN Fuse links comply with Indian & International Standards, i.e. IS: 13703 (1993) & IEC-269 (1986).
- Power Loss** LKDN Fuse links are designed to very low power loss for cool running and energy saving in power installations.
- Protection** LKDN Fuse links give a close protection, even during over load of inductive (Motor) and capacitive circuits.
- Characteristics** LKDN Fuse links operates within very close band to the time-current values given in standard IS: 13703 (1993) & IEC-269(1986) with very low let through energy & cutt off current at short circuit.
- Indication** LKDN Fuse links incorporate a flap indicator which can be used for remote signalling when fitted with a striker and auxiliary switch.
- Certification** LKDN Fuse links are fully tested and certified by CPRI, Bhopal. LKDN Fuse links are certified by BIS to IS: 13703 (1993).

Range

Size	Type	Current Rating In Amps.
00	LKDN-00	6,8,10,16,20,25,32,40,50, 63,80,100,125,160
1	LKDN-I	40,50,63,80,100,125,160, 200,250
2	LKDN-II	200,250,315,355,400
3	LKDN-III	315,355,400,500,630

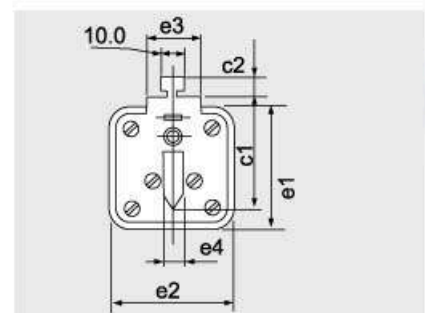
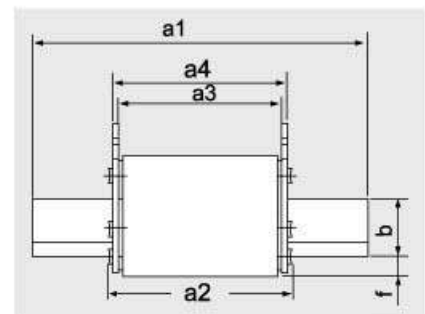
Dimensional Details

SIZE	TYPE	a1	a2	a3	a4	b	c1	c2	e1	e2	e3	e4	f
00	LKDN-00	80	50.5	46	50	15	35	9.5	41	29.5	20	6	13
1	LKDN-I	133	70	60	66	20.5	40	9	46	46	22	6	10
2	LKDN-II	149	70	60	66	26	47.5	10	57	57	22	6	11.5
3	LKDN-III	151	72	62	68	33	60	10.5	73	73	22	6	16.5



Knife Contact Range

6Amps - 630Amps

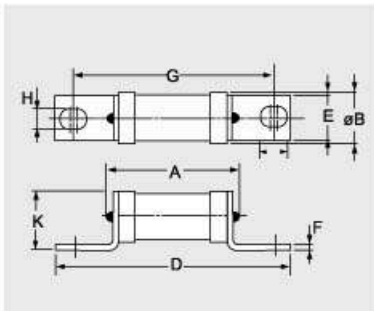
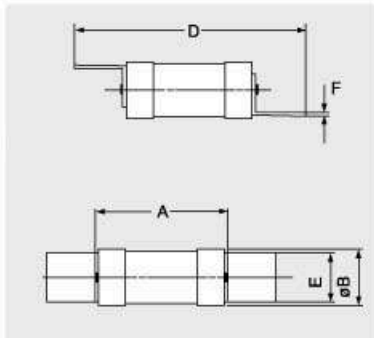




HRC Fuse Links - LKTS

Bolted Type

LK-HPL Bolted type LKTS HRC (High rupturing capacity) fuselinks are manufactured using precision assembly methods to ensure peak performance for protection of low and medium voltage circuits against overload and short circuit faults. Fuse elements are accurately shaped and designed for consistency and reliability. Provision of filler material (quartz



Range LKTS Fuse links are 2 Amps to 800 Amps with breaking capacity of more than 80KA at 415V, 50 Hz, AC.

Reference Standards LKTS Fuse links comply with Indian & International Standards i.e. IS: 13703 (1993) and IEC-269 (1986)

Power Loss LKTS Fuse links are designed for very low power loss for cool running and energy saving in power installations.

Protection LKTS Fuse links give a close protection during overload.

Characteristics LKTS Fuse links conform within very close band to the time current values given in IS:13703 (1993) & IEC-269 (1986). The Fuse links are not sensitive to normal electro magnetic disturbances generated by the Fuse links themselves. The barrels are extruded under vacuum to prevent the occurrence of air pockets. The fuse links give satisfactory performance under both long term cyclic overload conditions and repeated transient overload such as motor starting surges or inrush current transformers or capacitors.

Certification LKTS Fuse links are fully tested and certified

by CPRI,

Bhopal. LKTS Fuse links are certified

by

Off-Set Tags:

S. No.	Fuse Type	Rating	A	øB	D	E	F
1	LKNS	2,4,6,10,16, 20,25,32	35	14	60	11	0.85

Off-Set Tags 2-Hole Fixing

Fuse Type	Rating in Amps	A	øB	D	E	F	G	H	J	K
LKTSA	6,10,16,20,25,32	36	14	85.5	9.0	1.25	73	5.2	8.8	15.2
LKTSS	35,50,63	57	22.5	86.0	13.0	1.25	73	5.2	11.25	25
LKTSD	80,100	59	23	111	19	2.4	94	9.0	12.5	25.5
LKTSFP	125,160,200	61	35	112	19	2.4	94	8.5	12	36.6
LKTCP	125,160,200	66	32.3	110	19	2.4	94	8.4	10	34

Bolted Type Range

2Amps - 800Amps

